

GRIDDLE



MODEL WST3006ZE

OWNER'S MANUAL



Westinghouse

IMPORTANT SAFEGUARDS

When using electrical appliances, basic safety precautions should always be followed including the following:

1. Read all instructions.
2. Do not touch hot surfaces. Use handles or knobs. Use oven mitts or potholders.
3. To protect against electric shock do not immerse cord, Temperature Control Probe, or plugs in water or other liquid.
4. Close supervision is necessary when any appliance is used by or near children.
5. Unplug from outlet when not in use and before cleaning. Allow to cool before putting on or taking off parts, and before cleaning the appliance.
6. Do not operate any appliance with a damaged cord or plug or after the appliance malfunctions, or has been damaged in any manner. Contact Consumer Service for examination, repair or adjustment.
7. The use of accessory attachments not recommended by the appliance manufacturer may cause injuries.
8. Do not use outdoors.
9. Do not let cord hang over edge of table or counter, or touch hot surfaces.
10. Do not place on or near a hot gas or electric burner, or in a heated oven.
11. Extreme caution must be used when moving an appliance containing hot oil or other hot liquids.
12. Always attach Temperature Control Probe to appliance first, then plug cord in the wall outlet. To disconnect, turn Temperature Control Knob to "off", then remove plug from wall outlet.
13. Do not use appliance for other than intended use.

SAVE THESE INSTRUCTIONS

For Household Use Only

ADDITIONAL IMPORTANT SAFEGUARDS

CAUTION HOT SURFACES: This appliance generates heat and escaping steam during use. Proper precautions must be taken to prevent the risk of burns, fires or other damage to persons or property.

CAUTION: This appliance is hot during operation and retains heat for some time after turning off. Always use oven mitts when handling hot materials and allow metal parts to cool before cleaning.

1. All users of this appliance must read and understand this Owner's Manual before operating or cleaning this appliance.
2. The cord to this appliance should be plugged into a 120V AC electrical outlet only.
3. If this appliance begins to malfunction during use, immediately unplug the cord. Do not use or attempt to repair the malfunctioning appliance.
4. Do not leave this appliance unattended during use.

GROUNDING 3-CONDUCTOR PLUG

This appliance is equipped with a grounded-type 3-wire cord (3-prong plug). This plug will only fit into an electrical outlet made for a 3-prong plug. This is a safety feature. If the plug should fail to fit the outlet, contact an electrician to replace the obsolete outlet. Do not attempt to defeat this safety feature.

Since the appliance is of the grounded type, the extension cord should be a grounding-type 3-wire cord.

SHORT CORD INSTRUCTIONS

A short power-supply cord (or detachable power-supply cord) is provided to reduce the risk resulting from becoming entangled in or tripping over a longer cord.

Longer detachable power-supply cords or extension cords are available and may be used if care is exercised in their use.

If a longer detachable power-supply cord or extension cord is used, (1) the marked electrical rating of the cord set or extension cord should be at least as great as the electrical rating of the appliance, and (2) the cord should be arranged so that it will not drape over the countertop or tabletop where it can be pulled on by children or tripped over unintentionally.

ELECTRIC POWER

If the electrical circuit is overloaded with other appliances, your appliance may not operate properly. It should be operated on a separate electrical circuit from other appliances.

Drip Tray (P/N 21701 TM)

Non-skid Rubber Feet (P/N 21700 TM)

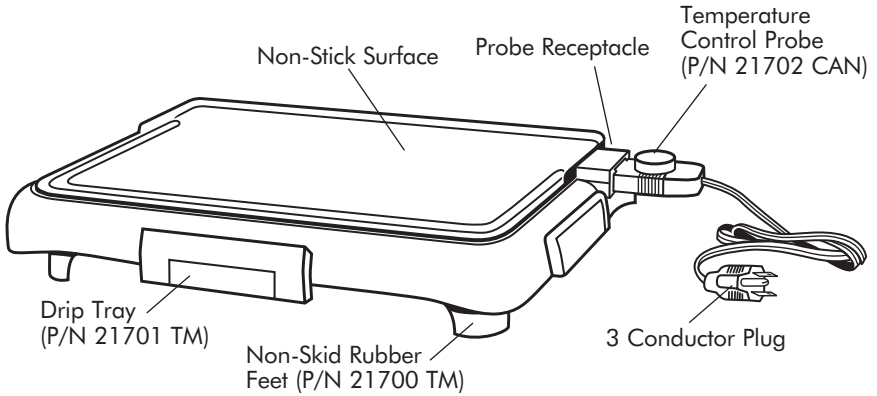
Temperature Control Probe (P/N 21702 CAN)

TEMPERATURE CONTROL PROBE

Use only the Temperature Control Probe (P/N 21702 CAN) supplied with this product. Using any other type of Temperature Control Probe may cause fire, electric shock, or injury.

GETTING TO KNOW YOUR WESTINGHOUSE WST3006ZE GRIDDLE

PRODUCT MAY VARY SLIGHTLY FROM ILLUSTRATION



BEFORE USING FOR THE FIRST TIME

1. Carefully unpack Griddle.
2. Remove Temperature Control Probe (DO NOT IMMERSE TEMPERATURE CONTROL PROBE IN WATER), wipe with a damp cloth and dry thoroughly.
3. Remove Drip Tray. Wash Griddle and Drip Tray in soapy water; rinse and dry thoroughly.

CAUTION: Probe and Probe Receptacle must always be completely dry before use.

OPERATING INSTRUCTIONS

1. Insert Drip Tray into rails under griddle.
2. Turn Temperature Control Knob on Probe to off setting position and attach securely to Probe Receptacle on griddle.
3. If necessary, condition the non-stick surface with solid vegetable shortening before heating according to cooking directions. Remove excess oil with paper towel.
4. Plug into 120V ~ 60 Hz outlet. Align the pointer to the desired temperature on the Control Knob. The light on the Probe will illuminate. The unit is preheated when the light on the Probe goes off. The light will cycle during use indicating the proper temperature is being maintained.
5. When finished cooking, turn Temperature Control Knob on Probe to off setting, unplug from outlet and cool before cleaning.

CAUTION: Because some countertop finishes are more affected by heat than others, use care not to place griddle on surfaces where heat may cause a problem.

CAUTION: Griddle surfaces are hot during use.

USER MAINTENANCE INSTRUCTIONS

This appliance requires little maintenance. It contains no user serviceable parts. Do not try to repair it yourself. Any servicing requiring disassembly other than cleaning must be performed by a qualified appliance repair technician.

CARE AND CLEANING

NOTE: No parts should be placed in an automatic dishwasher.

1. Unplug and allow to cool before cleaning or moving.
2. Remove Probe (DO NOT IMMERSE PROBE IN WATER), wipe with a damp cloth and dry thoroughly.
3. Remove Drip Tray; empty contents. Wash Griddle and Drip Tray in soapy water; rinse and dry thoroughly. A plastic pad with mild abrasive cleanser may be used to clean underside of griddle.

CAUTION: Temperature Control Probe and Probe Receptacle must always be completely dry before use.

HINTS FOR CARE AND USE OF NON-STICK SURFACE

1. To avoid scratching the non-stick surface, do not stack objects on griddle.
2. Use medium to low heat for best cooking results. Very high temperatures can cause discoloration and shorten the life span of any non-stick surface. If higher temperatures are necessary, preheat on medium for a few minutes.
3. Use only nylon, plastic, or wooden utensils with care to avoid scratching the non-stick surface. Never cut food on the griddle.
4. Remove stubborn stains with a plastic scouring pad and mild dish washing liquid; DO NOT USE STEEL WOOL.

TIME AND TEMPERATURE CHART

Food	Temperature (Preheat)	Time (Minutes)	Directions
Bacon	325°-350°	8-14	DO NOT PREHEAT. Turn often.
Sausage	325°-350°	20-30	DO NOT PREHEAT. Turn often.
French Toast	350°	6-10	Turn halfway into cooking time.
Hamburger	350°	3-14	Turn halfway into cooking time.
Ham Slices	350°	14-18	Turn halfway into cooking time.
Sandwiches	350°	6-10	Butter outside and brown both sides.
Pork Chops	350°	20-30	Brown both sides then reduce temperature to 325°. Turn halfway into cooking time.
Steaks	400° rare	4-6	Turn halfway into cooking time.
	400° medium	7-12	Turn halfway into cooking time.
	400° well	13-18	Turn halfway into cooking time.
Pancakes	400°	2-6	Pour batter onto griddle. When bubbles appear on top side, turn.

NOTES

LIMITED ONE YEAR PRODUCT WARRANTY

Warranty: This product is warranted to be free from defects in materials and workmanship for a period of one (1) year from the original purchase date. This product warranty covers only the original consumer purchaser of the product.

Warranty Coverage: This warranty is void if the product has been damaged by accident in shipment, unreasonable use, misuse, neglect, improper service, commercial use, repairs by unauthorized personnel, normal wear and tear, improper assembly, installation or maintenance abuse or other causes not arising out of defects in materials or workmanship. This warranty is effective only if the product is purchased and operated in the USA or Canada, and does not extend to any units which have been used in violation of written instructions furnished with the product or to units which have been altered or modified or to damage to products or parts thereof which have had the serial number removed, altered, defaced or rendered illegible.

Implied Warranties: ANY WARRANTIES IMPLIED WHICH THE PURCHASER MAY HAVE ARE LIMITED IN DURATION TO ONE (1) YEAR FROM THE DATE OF PURCHASE. Some states and provinces do not allow limitations on how long an implied warranty lasts, so the above limitation may not apply to you.

Warranty Performance: During the above one-year warranty period, a product with a defect will be either repaired or replaced with a comparable model when the product is returned to Zellers. The repaired or replacement product will be in warranty for the balance of the one-year warranty period and an additional one-month period. No charge will be made for such repair or replacement within the warranty period.


Important Notice: If any parts are missing or defective, return this product to the place of purchase.

Any questions or comments can be directed to the Consumer Relations Department. Please write to, call or email:

Consumer Relations Dept.
P.O. Box 6916
Columbia, MO 65205-6916
1(800) 233-9054

Limitation of Remedies: No representative or person is authorized to assume for us any other liability in connection with the sale of our products. There shall be no claims for defects or failure of performance or product failure under any theory of tort, contract or commercial law including, but not limited to negligence, gross negligence, strict liability, breach of warranty, and breach of contract. Repair, replacement or refund shall be the sole remedy of the purchaser under this warranty. Some states and provinces do not allow the exclusion or limitation of incidental or consequential damages, so the above limitation or exclusion may not apply to you.

Legal Rights: This warranty gives you specific legal rights, and you may also have other rights which vary from state to state/province.

WESTINGHOUSE™,  and "YOU CAN BE SURE...IF IT'S WESTINGHOUSE™" are trademarks of WESTINGHOUSE ELECTRIC CORPORATION and used under license by Salton, Inc. **In no event shall Salton be liable for any incidental or consequential damages, losses or expenses.**

Made in China

"© 2003
All Rights Reserved"

P/N 61259
Printed in China